



URBAN
FURNISHING

URBAN FURNISHING

INTRODUCTION	04-05
TECHNICAL SHEET	06-13
BOLLARD	06-07
ARCHES AND FENCE	08-09
FENCE	10 - 11
MANHOLE COVER FOR INSPECTION CHAMBERS	12 - 13
GALLERY	14
FINISHINGS	15

URBAN FURNISHING

BOLLARD

ARCHES AND FENCE

FENCE

MANHOLE COVER
FOR INSPECTION CHAMBERS

NEW VMR S.r.l.

alongside the production of retractable towers and fixed supply units, has designed a sober and elegant line of urban furnishing accessories, entirely made of AISI304 or AISI316L stainless steel and high-quality materials, yet being able to keep highly competitive prices.

The line offers fixed and removable bollards, arches, fences and manhole covers for inspection chambers.

The attention to the client and its satisfaction is a core element for New VMR S.r.l., which is able to keep up with the clients' needs, providing tailor-made solutions and the possibility to customize the products by combining colors and finishes.

FIELDS OF APPLICATION

The urban furnishing line is composed by fixed/buried and removable bollards, fences, arches and manhole covers for inspection chambers, all made of AISI304 or AISI316L stainless steel. These solutions can be used to restrict access to vehicles to sensitive areas such as embassies, banks, industrial and private complexes and pedestrian areas; they also represent a high-quality design idea for parks, amusement and theme parks, harbors, docks and marinas, gardens, municipal roads and swimming pools.

WHY CHOOSE STAINLESS STEEL?

First of all, for its excellent resistance to corrosion: the low carbon content and the addition of chromium, often together with nickel, nitrogen and molybdenum, contributes to the formation of a "passive layer" capable of protecting the material from corrosion and self-regenerate it in case of scratches, through a process known as "self-passivation".

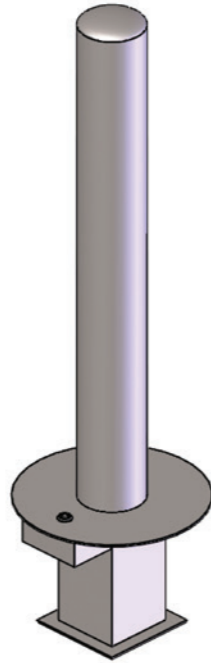
For this reason, stainless steel is particularly suitable in environments where atmospheric corrosion is high, such as urban centers or maritime ones.

Among the other reasons that lead to the choice of this material, we have to consider the aesthetic aspect, the hygiene, its Life Cycle Cost and high mechanical characteristics, the fire resistance, its anti-seismic potential and the zeroing of any maintenance costs.

BOLLARD



FIXED



REMOVABLE



BURIED

6

Bollard from the Urban Furnishing line by New VMR S.r.l., entirely made of AISI304 stainless steel, or AISI316L stainless steel, fixed/buried or removable bollards on demand.

Stainless steel finish or painted with special RAL colours.

Fixed or removable type with flange

MODELS AND DIMENSIONS

MOD 1

AISI304 stainless steel bollard
diameter 101,6mm thickness 2mm and height of 800mm above ground

MOD 2

AISI304 stainless steel bollard
diameter 101,6mm thickness 2mm and height of 800mm above ground,
completed with flange with diameter 190mm and thickness 9mm

MOD 3

AISI304 stainless steel removable bollard
diameter 101,6 mm thickness 2 mm and height of 800mm above ground.
Comes with padlock system

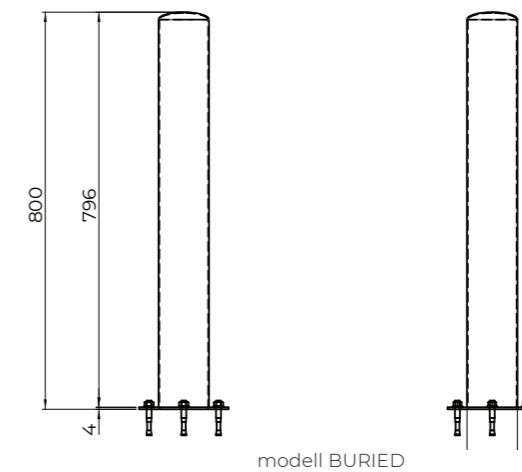
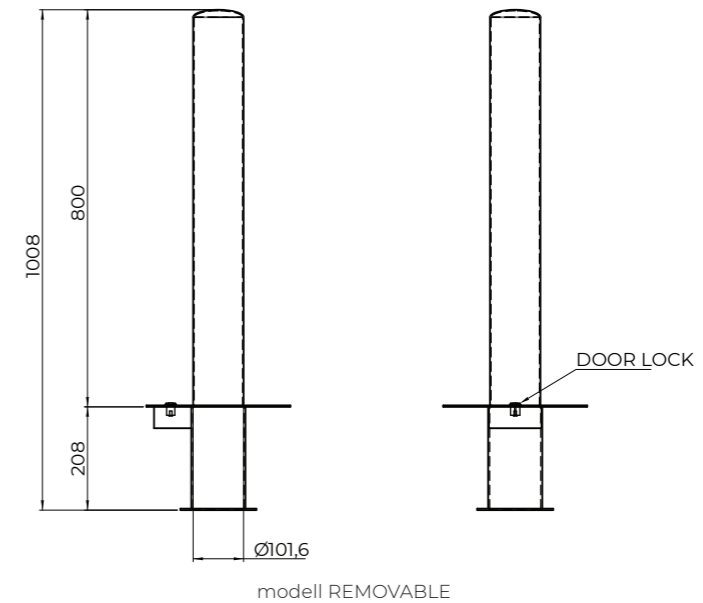
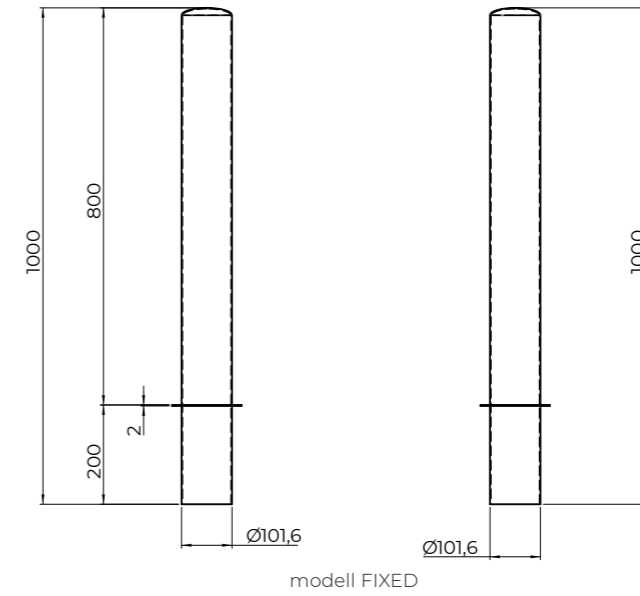
MOD 4

AISI304 stainless steel bollard
diameter 129mm thickness 2 mm and height of 800mm above ground

MOD 5

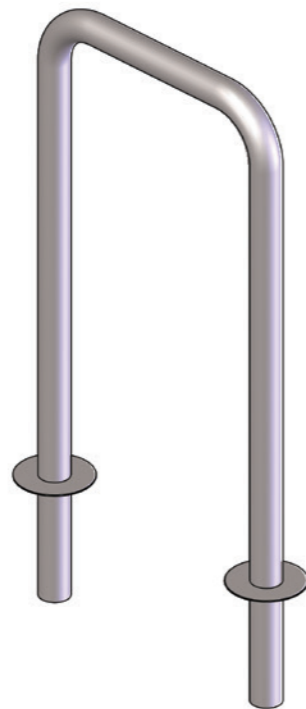
AISI304 stainless steel bollard
diameter 154mm thickness 2mm and height of 800mm above ground

SIZE



7

ARCHES AND FENCE



Arch from the Urban Furnishing line by New VMR S.r.l.,
entirely made of AISI304 stainless steel,
or AISI316L stainless steel, fixed/buried or removable bollards on demand

Stainless steel finish or painted with special RAL colours.

MODELLS AND DIMENSIONS

MOD 1

AISI304 stainless steel arch
diameter 48,3mm, thickness 2mm,
with size 480mm x 1000mm

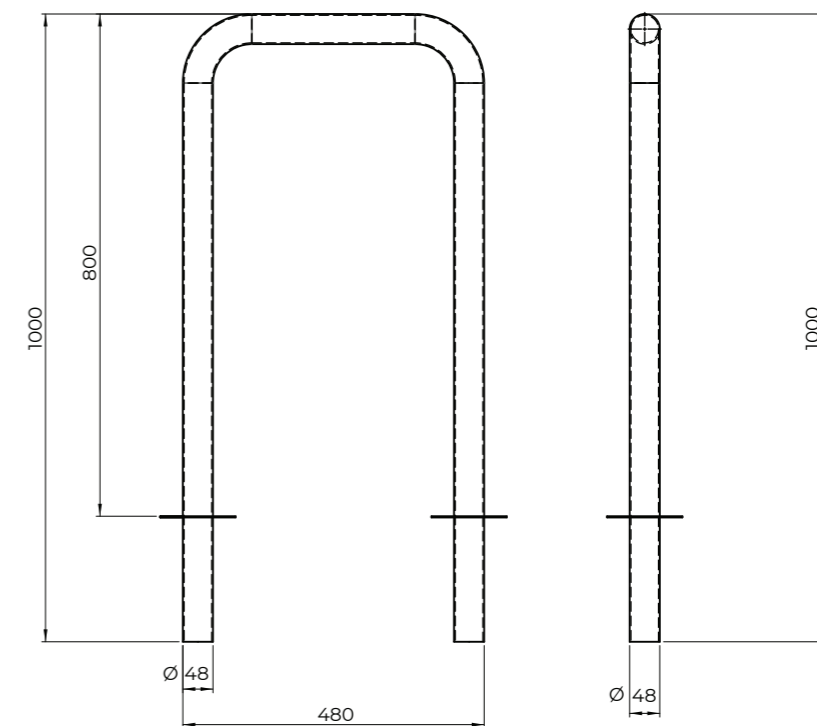
MOD 2

AISI304 stainless steel arch
diameter 60mm, thickness 2mm,
with size 600mm x 1000mm

MOD 3

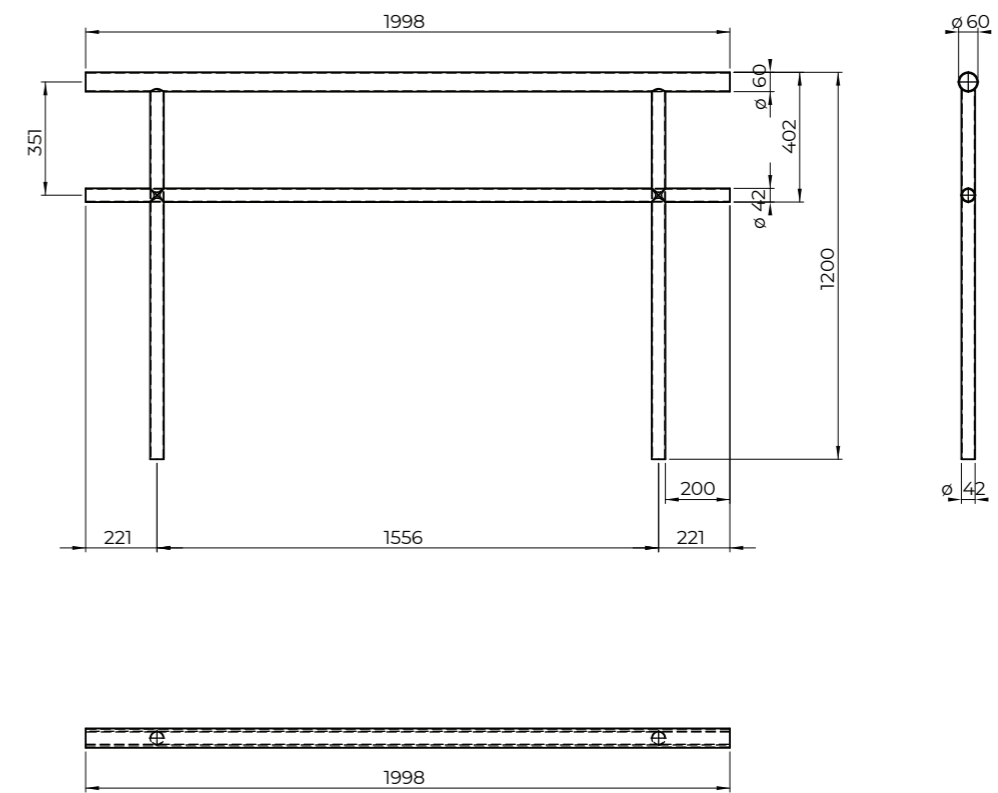
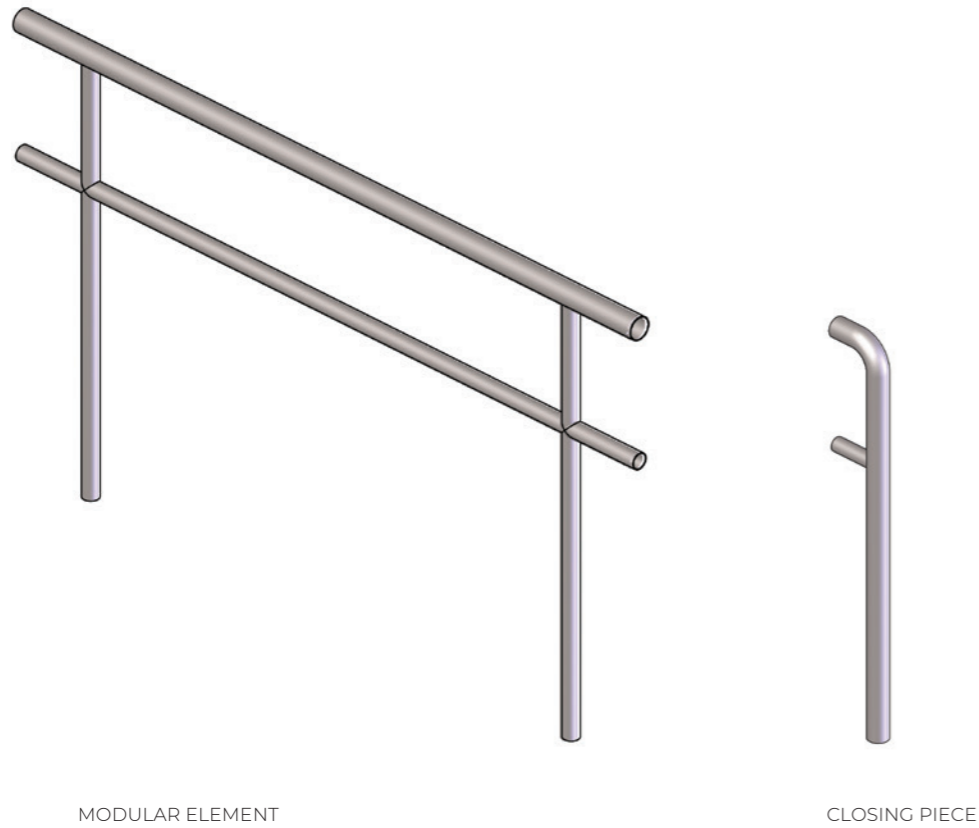
AISI304 stainless steel arch
diameter 60mm, thickness 2mm,
with size 800mm x 1000mm

SIZE



FENCE

SIZE



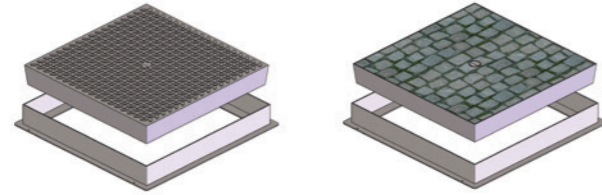
Fence from the Urban Furnishing line by New VMR S.r.l., entirely made of AISI304 stainless steel, or AISI316L on demand. Stainless steel finish or painted with special RAL colours.

MODULAR ELEMENT with length of 2,00mt, having the following dimensions:

upper pipe diameter 60,3mm,
lower and vertical pipes diameter 42,4mm and thickness 2mm;
total height of 1,2mt and height of 0,9mt above the ground.

Completed with **CLOSING PIECE** with diameter 60,3mm and thickness 2mm.

MANHOLE COVER FOR INSPECTION CHAMBERS



Manhole cover for inspection chambers of the Urban Furnishing line by New VMR S.r.l. entirely made of AISI304, or AISI316L on demand, stainless steel.

Cleaned with the use of passivation of the stainless steel to finish and remove welding marks, thanks to electropickling and electropolishing techniques.

Manual opening thanks to a retractable lever, that can be extracted from the cover's surface. Stainless steel finish or painted with special RAL colours.

Available dimensions with a standard height of 60mm:

300x300mm
400x400mm
500x500mm
600x600mm
700x700mm

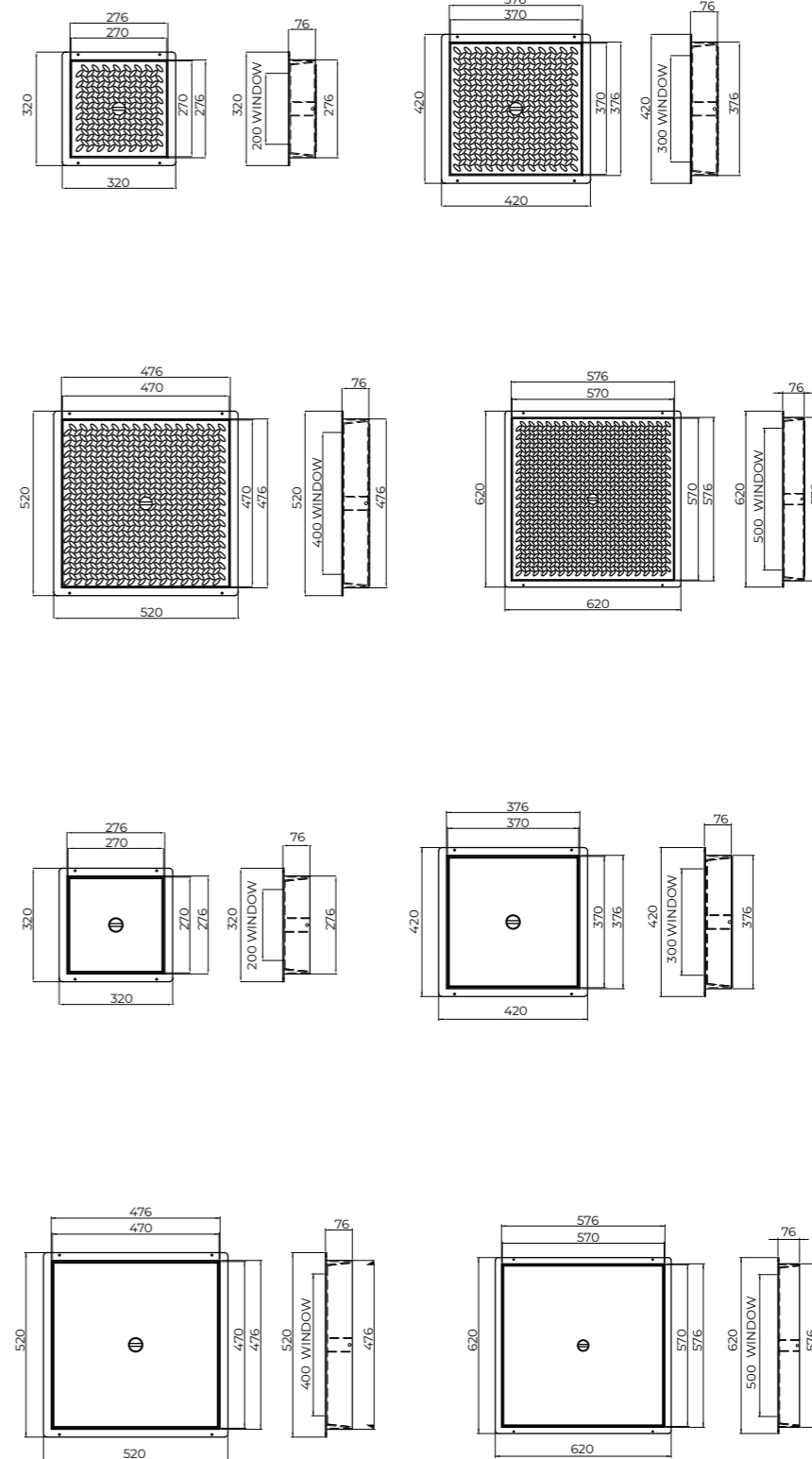
Available load capacity:

40T (only almond finish – nonslip surface type)
12,5T

Available types:

**ALMOND FINISH – NONSLIP SURFACE
FILLABLE
WITH INSPECTION HATCH**

SIZE



GALLERY



AVAILABLE FINISH AND COLOURS

AISI 304/316L Stainless steel, brushed or mirror finish
 AISI 304/316L Stainless steel painted RAL colours and with airbrushed logos on demand

1000	1001	1002	1003	1004	1005	1006	1007
1011	1012	1013	1014	1015	1016	1017	1018
1019	1020	1021	1023	1024	1027	10028	10032
1033	1034	2000	2001	2002	2003	2004	2008
2009	2010	2011	2012	3000	3001	3002	3003
3004	3005	3007	3009	3011	3012	3013	3014
3015	3016	3017	3018	3020	3022	3027	3031
4001	4002	4003	4004	4005	4006	4007	4008
4009	5000	5001	5002	5003	5004	5005	5007
5008	5009	5010	5011	5012	5013	5014	5015
5017	5018	5019	5020	5021	5022	5023	5024
6000	6001	6002	6003	6004	6005	6006	6007
6008	6009	6010	6011	6012	6013	6014	6015
6016	6017	6018	6019	6020	6021	6022	6024
6025	6026	6027	6028	6029	6032	6033	6034
7000	7001	7001	7002	7003	7004	7005	7006
7008	7009	7010	7011	7012	7013	7015	7016
7021	7022	7023	7024	7026	7030	7031	7032
7033	7034	7035	7036	7037	7038	7039	7040
7042	7043	7044	8000	8001	8002	8003	8004
8007	8008	8011	8012	8014	8015	8016	8017
8019	8022	8023	8024	8025	8028	9001	9002
9003	9004	9005	9010	9011	9016	9017	9018

The images are solely intended to represent the range of available finishes.
 Colour variations between the printed version and real sample are therefore possible.



WWW.VMRSRL.COM

NEW VMR S.R.L.

VIA LARIO 31, 22060 CANTÙ (CO) ITALY

+39 031 704673 | 031 7090081

INFO@VMRSRL.COM

P.IVA 03230340139